

MGV系列噴氣脈衝閥



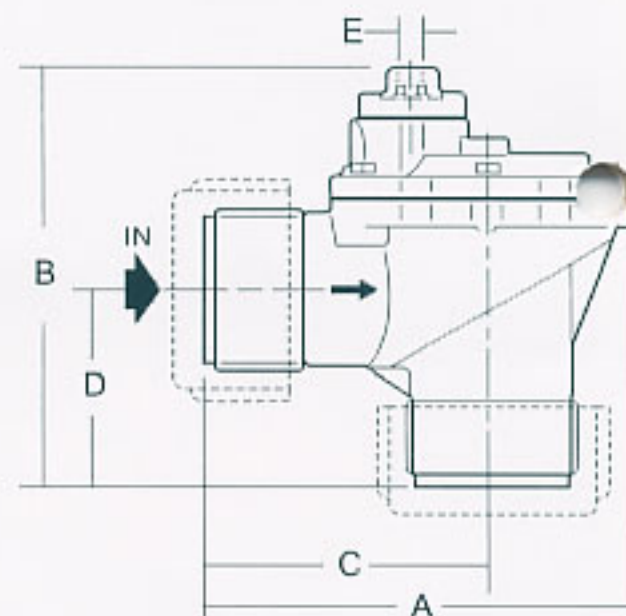
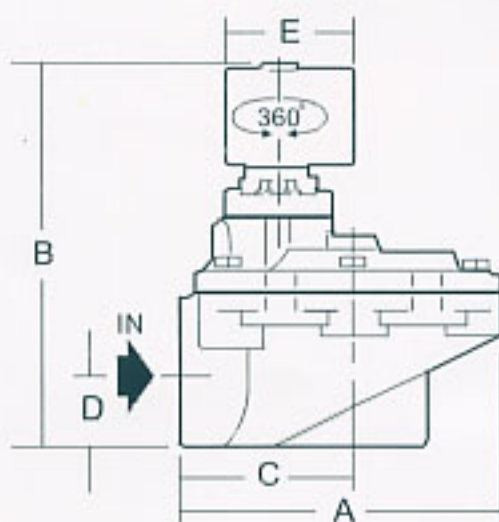
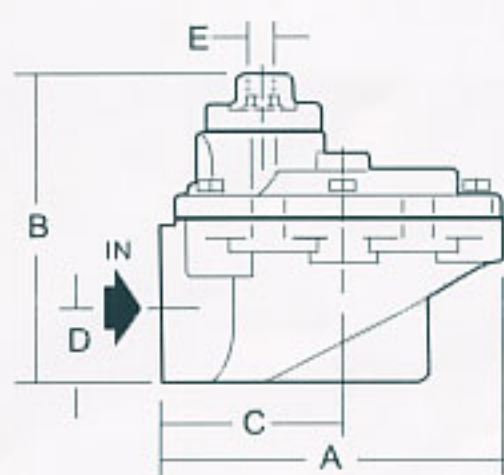
MGV-※※



MGV-※※S



MGV-※※U



型號 MODEL	管徑(PT) PIPE SIZE	流孔口徑 ORIFICE	CV值 FACTOR	A	B
MGV-20	3/4"	25	12	90	64
MGV-25	1"	30	25	90	64
MGV-40	1 1/2"	45	52	140	119
MGV-50	2"	57	85	180	157
MGV-65	2 1/2"	68	104	180	157
MGV-85	3"	80	140	215	177
MGV-20S	3/4"	25	12	90	116
MGV-25S	1"	30	25	90	116
MGV-40S	1 1/2"	45	52	140	160
MGV-50S	2"	57	85	180	210
MGV-65S	2 1/2"	68	104	180	210
MGV-80S	3"	80	140	215	230
MGV-25U	1"	30	25	114	116
MGV-40U	1 1/2"	45	52	169	167
MGV-25SU	1"	30	25	114	168
MGV-40SU	1 1/2"	45	52	169	210

PULSE JET VALVE

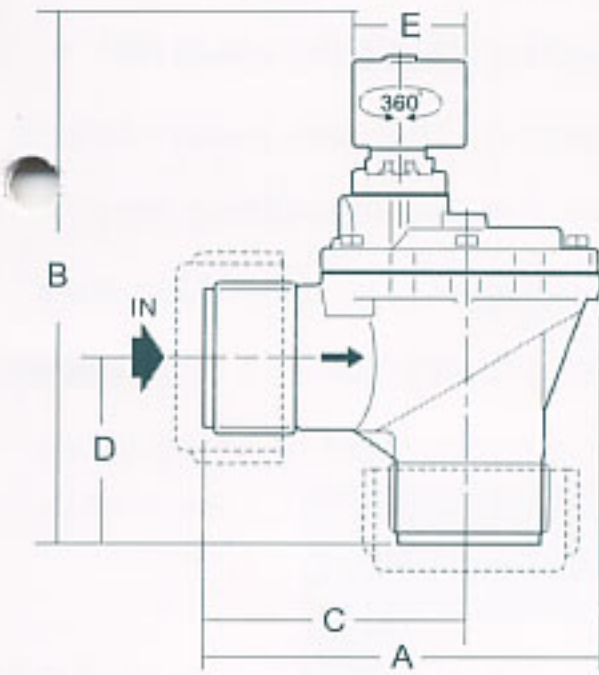


MGV-※※SU

特長：

- 本體全部鋁合金射出一體成型，內部構造阻力小，進出口成90°直角便於安裝，保養簡易。
- 特別選用品質優良之膜片，彈性特佳、耐壓強、不易老化壽命最長。
- 利用絕佳之膜片快速開啓，瞬間脈衝震波，高壓噴射，流量大，逆流效果最好。
- 使用密閉型防水線圈，動作準確，品質優良，電壓有AC 110V 220V 及DC 24V(備有出線型及DIN插頭式供選擇)。

- The pulse valves are especially designed for dust collector service application, combining high flow, long life and extremely fast opening and closing to produce reliable and economical operation.
- The high flow, angle type bodies provide convenience for installation and maintenance,
- The design with integral compression fittings will facilitate installation because there is no need for threaded piping.
- The high quality diaphragms have great elasticity and are wear resistant to guarantee a long operating life.
- The pulse valves have airtightly waterproof coils with high quality and act precisely. There are AC110V, 220V, and DC 24V.



C	D	E	寬 WIDTH	重 量 WEIGHT	膜片型號 DIAPHRAGM NUMBER
52	21	1/8"PT	75	0.45	MGD-25N
52	21	1/8"PT	75	0.41	MGD-25N
72	30	1/8"PT	137	1.22	MGD-40N
95	44	3/8"PT	170	2.92	MGD-65N
95	44	3/8"PT	170	2.62	MGD-65N
119	58	3/8"PT	195	3.75	MGD-80N
52	21	47	75	0.66	MGD-25N
52	21	47	75	0.63	MGD-25N
72	30	47	137	1.40	MGD-40N
95	44	47	170	3.12	MGD-65N
95	44	47	170	2.79	MGD-65N
119	58	47	195	3.97	MGD-80N
77	69	1/8"PT	75	0.86	MGD-25N
100	71	1/8"PT	137	2.12	MGD-40N
77	69	47	75	1.07	MGD-25N
100	71	47	137	2.28	MGD-40N

MGB系列束管接頭 BULKHEAD CONNECTORS



MGB-※※

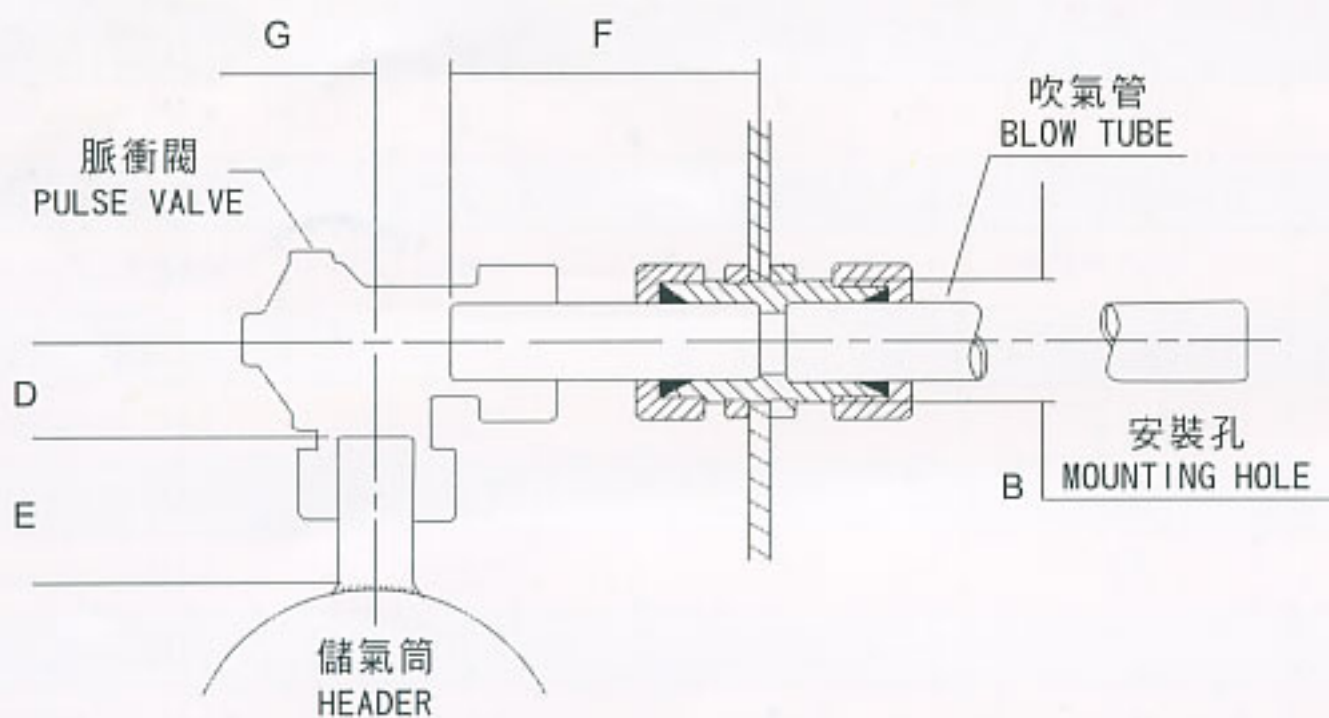
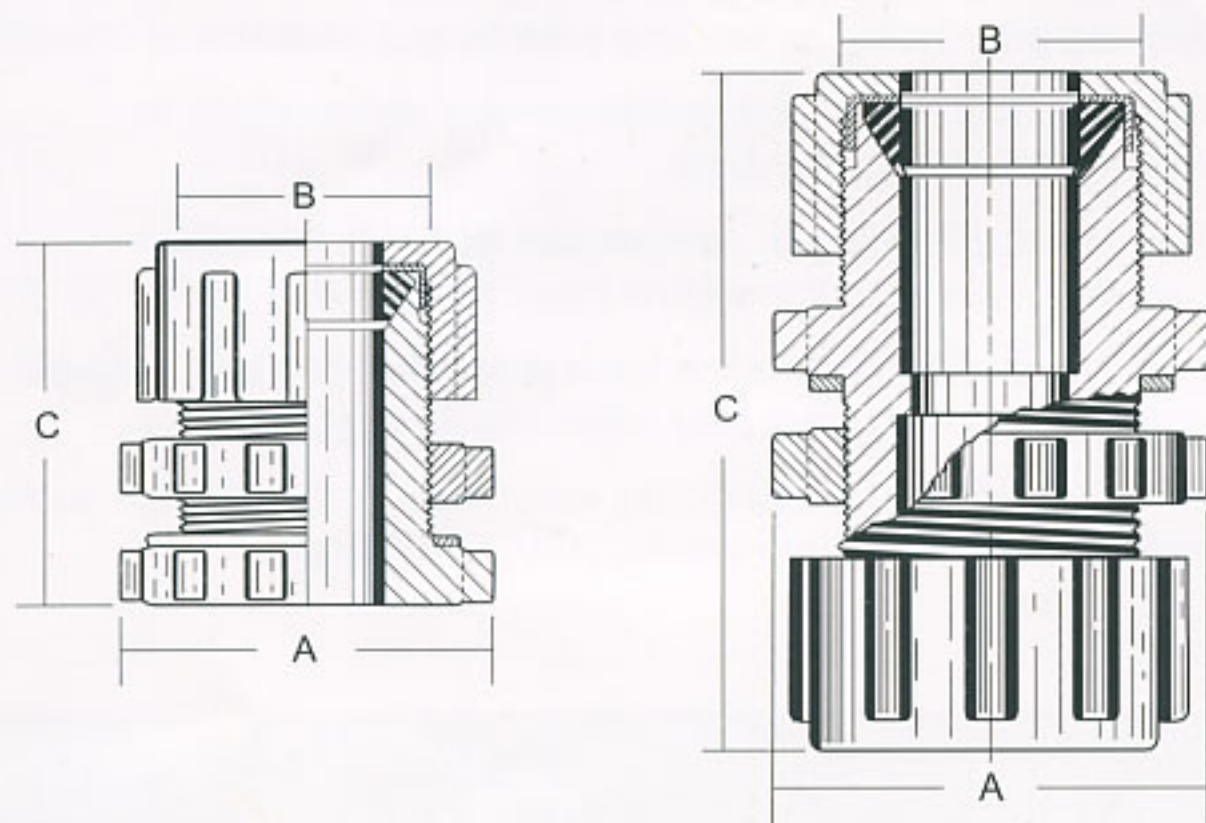


MGB-※※D

說明：

方便連結脈衝閥與主吹管，省去焊接，以免時間久遠後焊接處腐蝕且造成漏氣的缺點，並可省掉其他配件或攻牙麻煩。

The bulkhead connectors facilitate the installation of pulse valve and blow tube because they eliminate the need for welding. This can avoid defects that the site of welding may corrode or puncture. Also they can simplify matters of threaded pipe connection of using other accessories.



型號 MODEL	管徑 PIPE SIZE	A	B	C	D	E 最小(min)	F 最小(min)	G
MGB-25	1"	78	55	68	39	59	140	31
MGB-40	1 1/2"	97	70	88	60	83	159	31
MGB-25D	1"	78	55	111	39	59	140	31
MGB-40D	1 1/2"	97	70	135	60	83	59	31

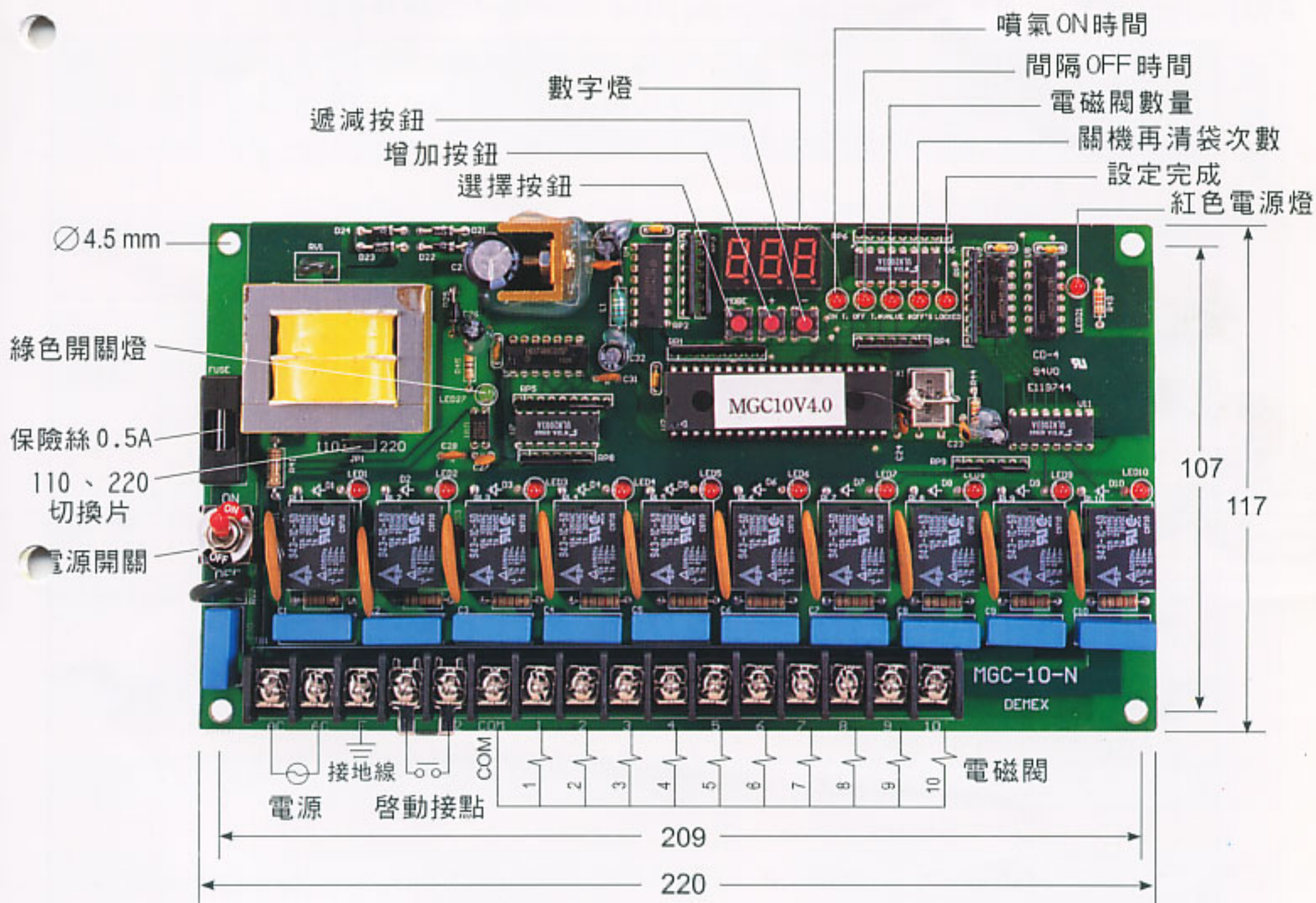
MGC 系列 順序控制器 SEQUENTIAL CONTROLLER

特 長

- 採數字顯示，專為脈衝式集塵機設計，在極短時間內完成作動，節省能量，保護濾袋。
- 配線簡單，操作容易。
- ON、OFF 時間及 STEP 數，在範圍內可自由設定。

特別設計

- 啓動開關關閉後可再循環清袋 1~25 次（自由設定），使關機後可保持濾袋乾淨，以確保濾袋壽命。
- The sequential controllers are specifically designed for pulse jet type dust collector. It can make the action in extremely short time which can save power and protect the bag filter.
- Easy for installation and operation.
- The number of ON、OFF time and STEP can be set up freely in the range.



型 號 MODEL	電 源 POWER	脈衝時間 ON	間隔時間 OFF	STEP 數	關 機 再清袋次數	外型尺寸 m/m	固定孔(4.5 ϕ) 距離 m/m
MGC-6N	AC 110 V or 220 V (自由切換) DC24V	1~400MS	1~120S	1~6	1~25次	104X170	92X160
MGC-10N				1~10		117X220	107X209
MGC-20N				1~20		173X220	162X209